



PUIaudio



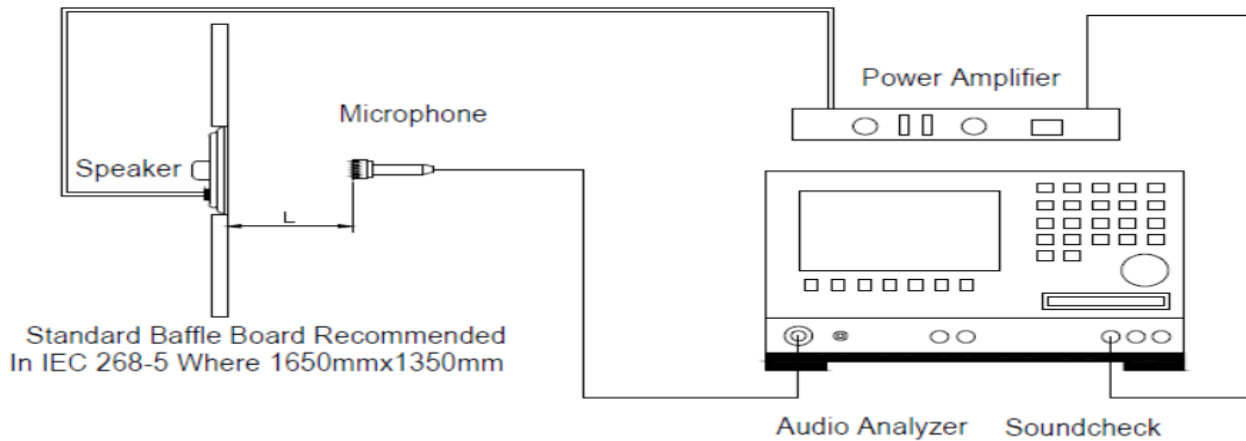
Data Sheet

AS09008PO-11-WR-R

Specifications

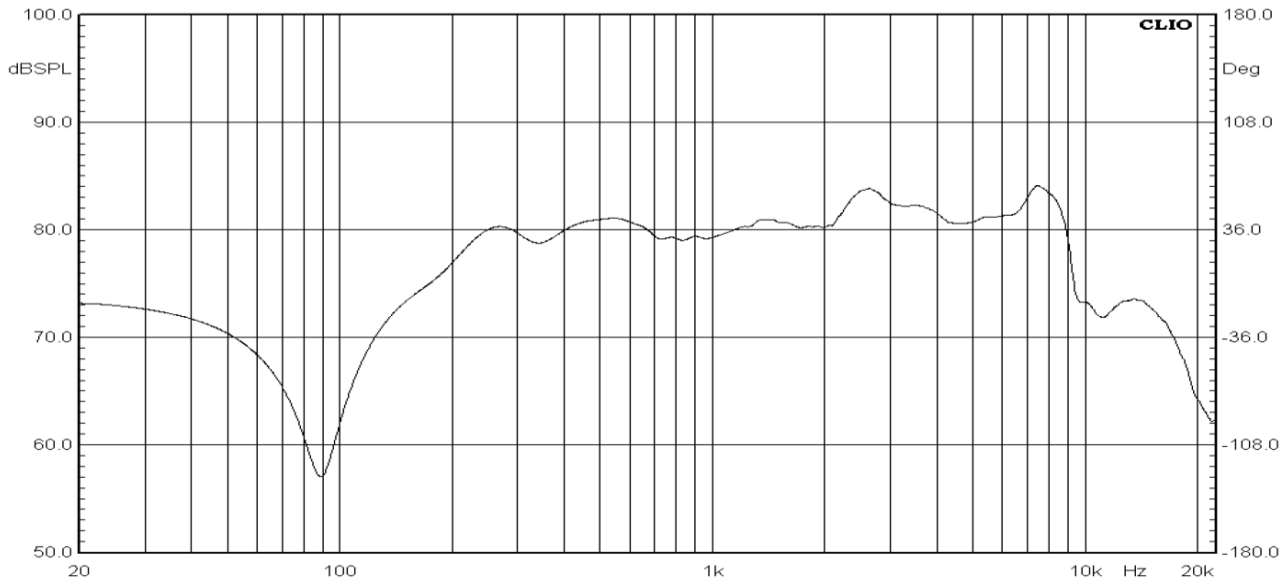
Parameters	Values	Units
Rated Input Power	5	Watts
Max Input Power	8	Watts
Impedance	$8 \pm 15\%$	Ohms
Sensitivity (SPL @ 1W/50cm) At 0.8, 1.0, 1.2, 1.5 kHz	85 ± 3	dB
Resonant Frequency	$180 \pm 20\%$	Hz
Frequency Range	$F_0 \sim 10,000$	Hz
Frame Material	Steel	-
Magnet Material	Ferrite	-
Diaphragm Material	Treated Paper	
Weight	98	Grams
Buzz, Rattle, etc.	Must be normal at sine wave F_0 - 20kHz, 6.32	-
Polarity	Cone will move forward with positive+ current to positive terminal	-
Storage Temperature	-20 ~ +65	°C
Operating Temperature	-20 ~ +65	°C

Test Condition



L=50cm

Frequency Response (measured with 2.83V @ 50cm)

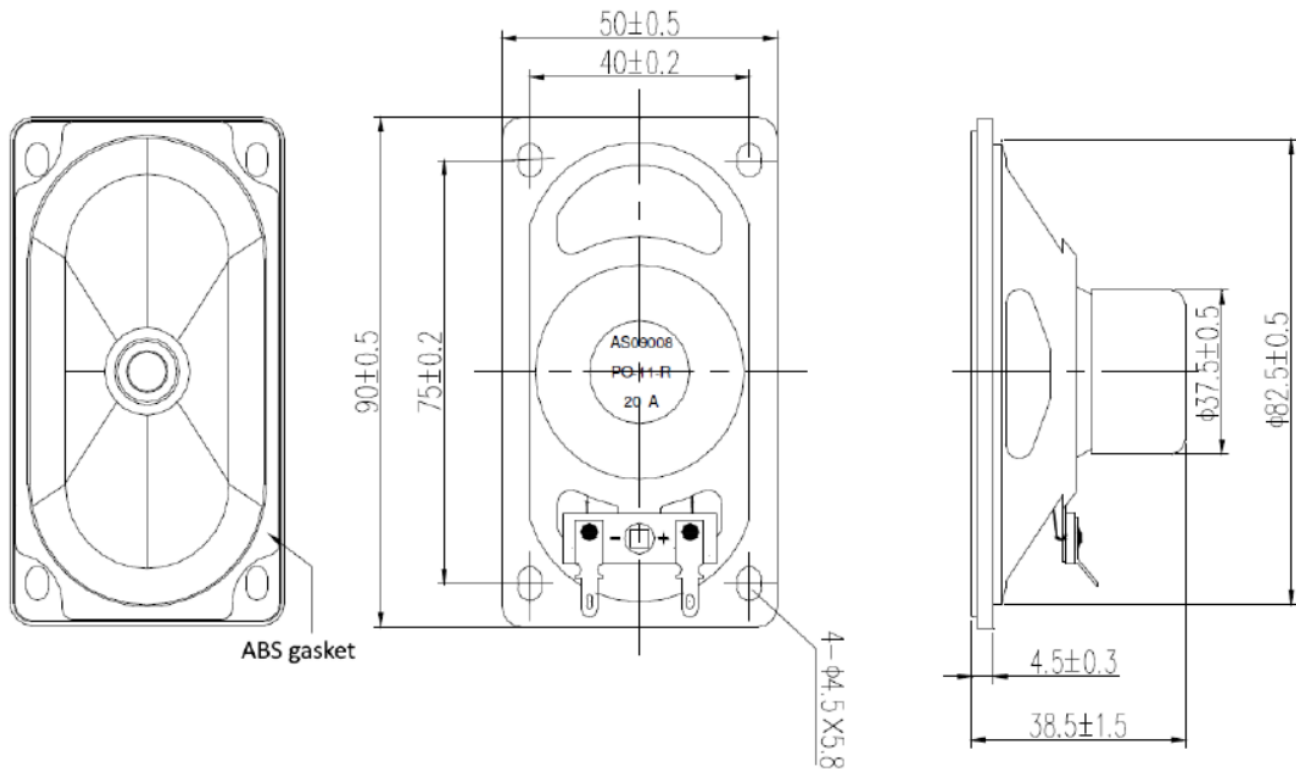


Reliability Testing

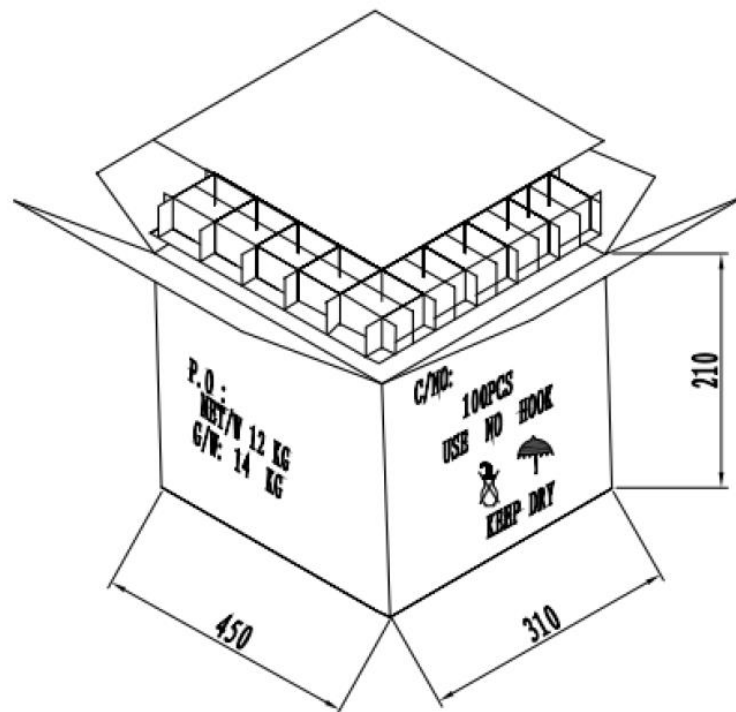
Type of Test	Test Specifications
High Temperature Test	96 hours at +65°C ± 3°C followed by three hours in normal room temperature
Low Temperature Test	96 hours at -20°C ± 3°C followed by three hours in normal room temperature
Humidity Test	96 hours at +40°C ± 3°C with relative humidity at 90% followed by 6 hours in normal room temperature
Temperature Cycle Testing	<p>The part shall be subjected to 5 cycles using the following procedure:</p> <p>The diagram illustrates a temperature cycle test procedure. It starts at +65°C for 2 hours, then ramps down to +25°C over 0.5 hours, stays at +25°C for 1 hour, ramps down to -20°C over 0.5 hours, and finally stays at -20°C for 2 hours. The total duration of one cycle is 6 hours.</p>
Vibration Test	Frequency 30 ± 15Hz, Amplitude 1.5mm for 3hr
Drop Test	100cm free fall onto concrete, x2
Load Test	Rated power for 96hrs

After each test, the speaker's SPL shall be ±3 dB of the original SPL

Dimensions



Packaging



50pcs Tray
100pcs per carton

Specifications Revisions

Revision	Description	Date
A	Released from Engineering	5/1/2020

Note:

- 1. Unless otherwise specified:
 - A. All dimensions are in millimeters.
 - B. Default tolerances are $\pm 0.5\text{mm}$ and angles are $\pm 3^\circ$.
- 2. Specification to change or withdraw without notice.
- 3. Speaker face treated for water resistance.